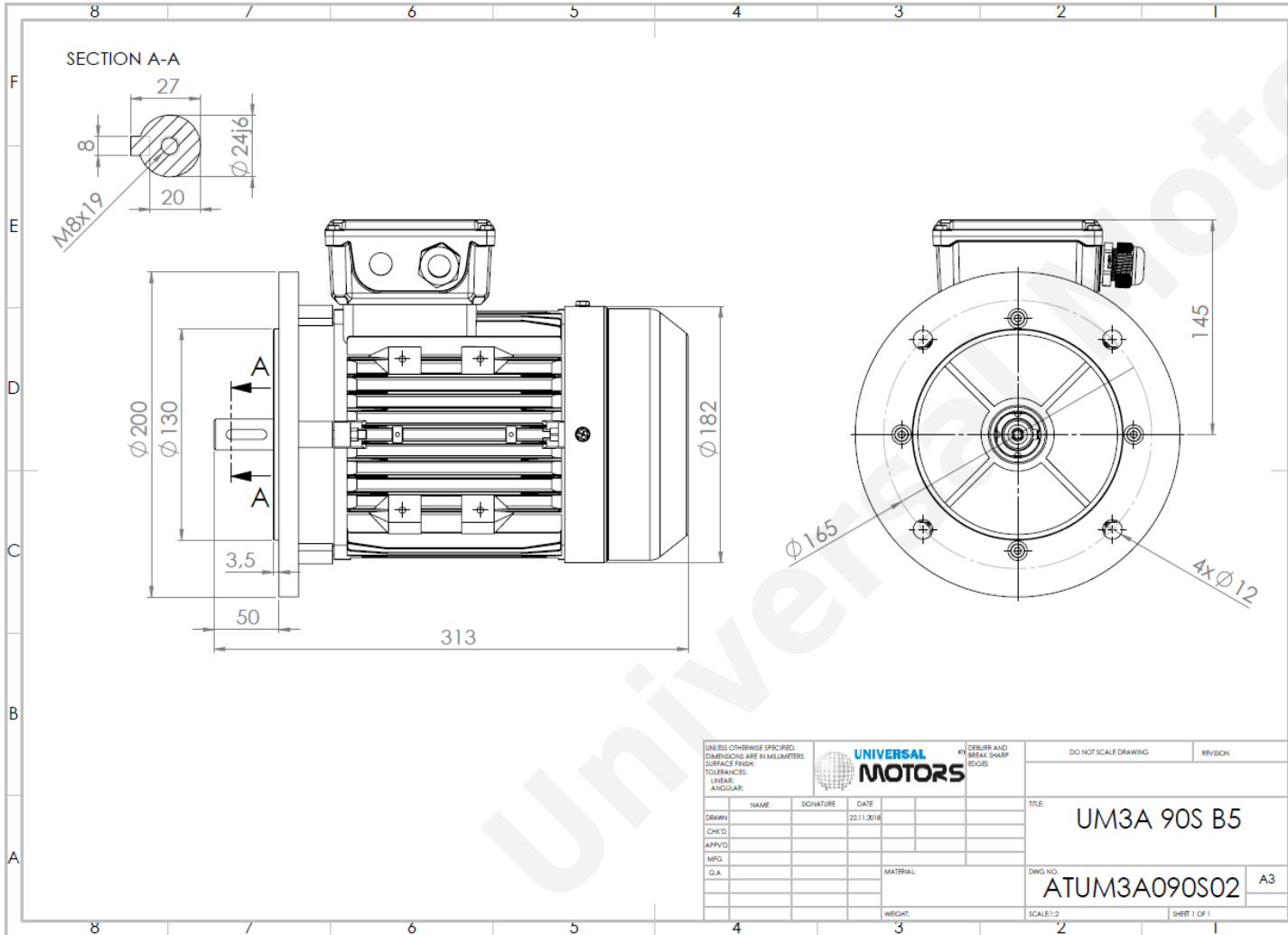




TECHNICAL DATA

Three Phase Electric Motors - Aluminum Frame
 PE31 90S-4
 1.1 kW / 1.5 Cv
 1435 RPM



Motor type:	PE31 90S-4
Output:	1.1 kW / 1.5 Cv
Speed (min ⁻¹):	1435 RPM
Frequency:	50 Hz
Voltage:	400 V
Current:	2.5 A
Power factor (Cos Ø):	0.75
Poles:	4
Insulation class:	F
Temperature rise Class:	B
Efficiency 50%:	82.0 %
Efficiency 75%:	82.8 %
Efficiency 100%:	84.1 %
Torque:	7.3 N.m
Tstarting/Tnominal:	2.3
Istarting/Inominal:	6.6
Tmaximum/Tnominal:	2.3
Noise:	66 Db(A)
Weight:	15 Kg
Bearing DE:	6205 2Z C3
Bearing NDE:	6205 2Z C3

UNLESS OTHERWISE SPECIFIED: DIMENSIONS ARE IN MILLIMETERS SURFACE FINISH: TOLERANCES: LINEAR: ANGULAR:				UNIVERSAL MOTORS		# DEBURR AND BREAK SHARP EDGES		DO NOT SCALE DRAWING		REVISION	
NAME	SIGNATURE	DATE		TITLE: UM3A 90S B5							
DRAWN		22.11.2018		DWG NO. ATUM3A090S02 A3							
CHK'D				SCALE: 1:2 SHEET 1 OF 1							
APP'VD											
MFG											
Q.A.											
MATERIAL:											
WEIGHT:											

Regime - S1

Altitude - 1000m

Environment Temperature - 40°C

CONTACTS:

UNIVERSAL MOTORS Tel: +351 252 299 080
 Rua de São Brás, 745 Fax: +351 252 299 089
 4480-782 VILA DO CONDE Mail: geral@universalmotors.pt

* References applied only in the UK